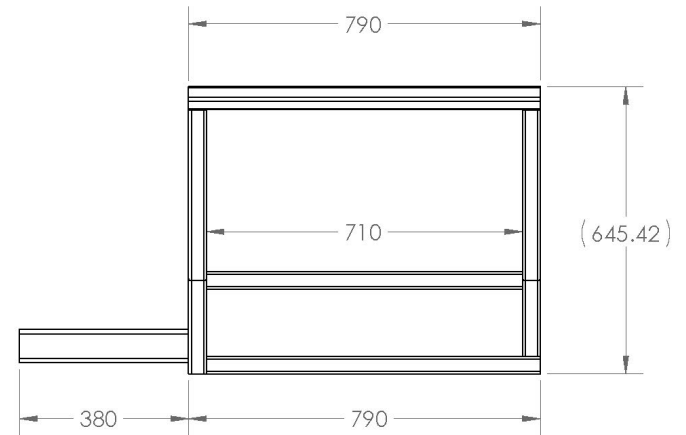
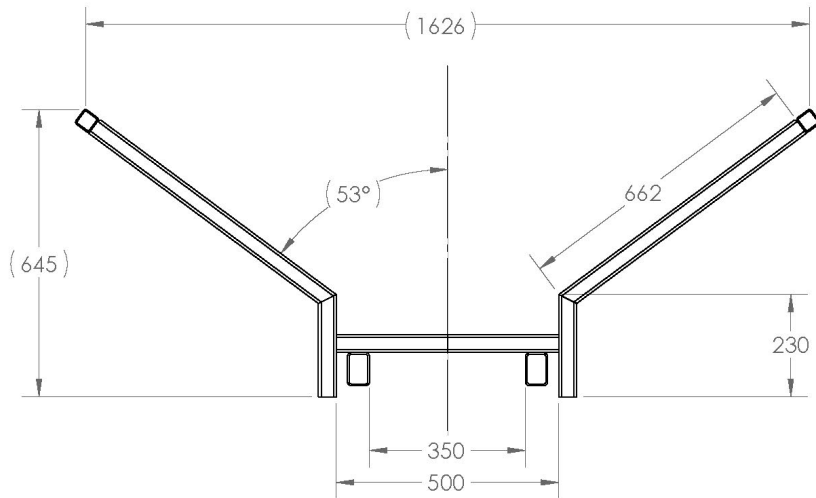
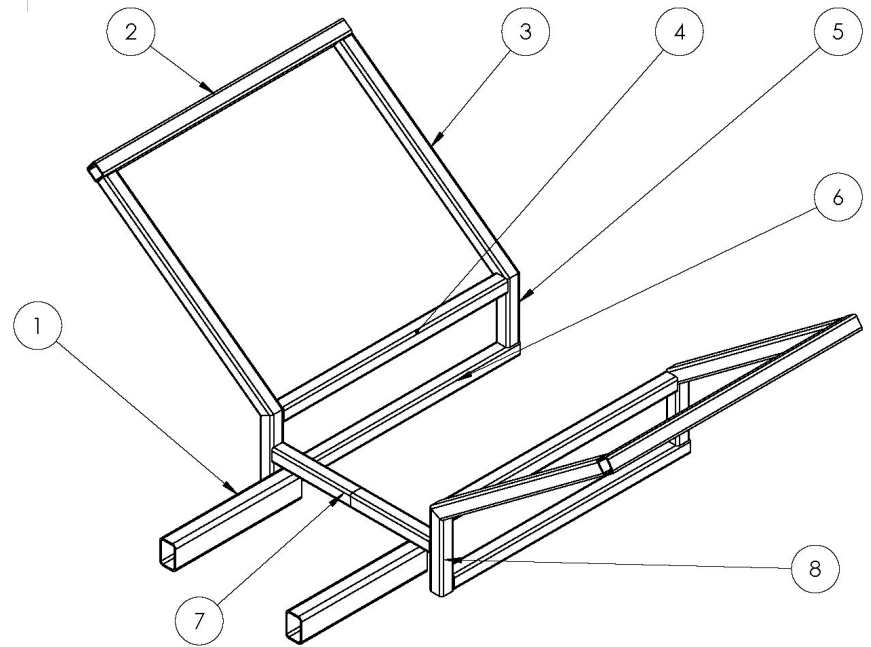


Parts & Materials Table			
Item	Section	Length	Quantity
1	75 x 50 x 3	400mm	2 of
2	40 x 40 x 3	790 mm	2 of
3	40 x 40 x3	662 mm	4 of
4	40 x 40 x 3	710 mm	2 of
5	40 x 40 x 3	190 mm	2 of
6	40 x 40 x 3	750 mm	2 of
7	40 x 40 x 3	500 mm	2 of
8	40 x 40 x 3	230 mm	2 of



UNLESS OTHERWISE SPECIFIED: DIMENSIONS ARE IN MILLIMETERS SURFACE FINISH: TOLERANCES: LINEAR: ANGULAR:		FINISH:	DEBUR AND BREAK SHARP EDGES	DO NOT SCALE DRAWING	REVISION
DRAWN AMRDC		SIGNATURE	DATE Oct 2013	University of South Australia	
CHK'D	APP'VD	MFG	Q.A	TITLE: Window Burn Chute for CASE	
MATERIAL: Plain Carbon Steel			DWG NO.	Welded Assembly	
WEIGHT: 34651.27			SCALE	SHEET 1 OF 1	
				A3	

